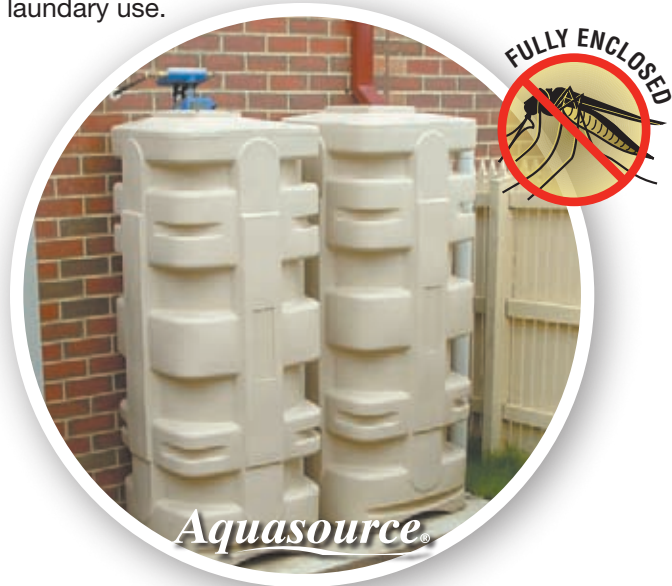


Aquasource Modern

from **\$1,590 inc GST**

750 Litre Leader Tank & 1500, 2250 & 3000 Litre Units

The complete Aquasource® system is a state-of-the-art, modular rainwater utilisation system designed to reduce a household's dependence on mains water for non-drinking purposes such as toilet flushing and laundry use.



All Units Supplied With

- Rainwater tank
- Pressure Controller
- Stainless Steel Submersible Pump
- Aquasource® mains water interconnect valve
- In line 'Y' filter
- Operators manual
- "Rainwater Utilisation system in use" sign



Aquasource Features

- The Aquasource® Interconnect Valve, controller and pump are matched to provide a highly efficient and synchronised system.
- Automatic water source changeover maximises the use of available rainwater.
- The Aquasource® Interconnect Valve is a certified Water Mark product.
- Valve is designed and manufactured to exacting specifications.
- High-flow transfer rate ensures greater application of water usage.
- Factory fitted backflow system that prevents contamination of the mains water connection.
- Stainless steel submersible pump provides cooler running in slim-line tanks and helps to maintain rainwater quality.
- The system does not allow mains water and rainwater to mix, therefore maximising potable water savings.
- Controller features a LED display panel that shows when the pump is running and when rainwater is available.
- Modular system with slimline design (only 760mm in diameter)
- Unlimited capacity – just keep adding tanks in 750 litre increments. Can be added to initially or later on to suit the customers requirements
- Modular size allows access through doorways and gates and enables easy access in restricted areas
- Square design for stronger durability
- Recommend installation by licenced plumber
- Easily caters for Frogmouth and Lazy Lizard filters

Basic Specifications

- Power: 240-volt – (10 Amp)
- Pipe Connections: 90mm round
- Flow rate of 60 l/min at 25m head

Systems are available in the following colour combinations

Colour Code (To order add colour code to the unit ordered **)	750 litre Tank
SC	Smooth Cream
SG	Slate Grey

Aquasource Dimensions

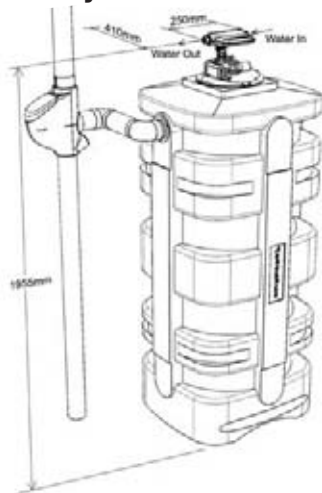
Dimensions – 750 litre Leader System

Code: AS750**

Width: 810mm (does not include plumbing or Frogmouth filter)

Height: From base to top of tank: 1830mm
From base to top of controller: 1955mm

Depth: 760mm



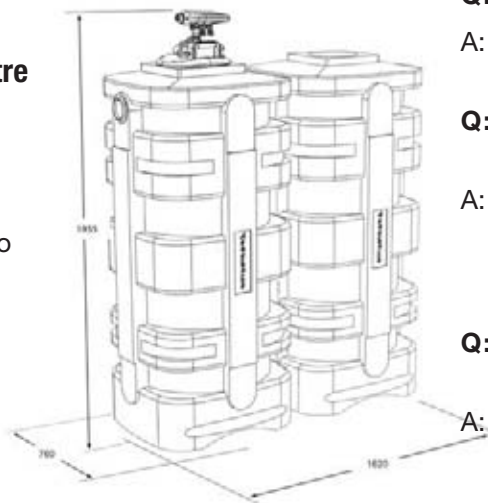
Dimensions – 750 litre Add-on Tank

Code: UE750**AD

Width: 810mm

Height: From base to top of tank: 1830mm

Depth: 760mm



Warranty Policy

2 year warranty on Aquasource Interconnect Valve.

12 month warranty on all other components.

Frequently Asked Questions

Q: Can I fit a filtration system to the Modern Aquasource?

A: There are a range of Silvan H2O filters that can be fitted to the Modern Aquasource

Q: Do I need a stand for the tanks?

A: No, a concrete slab or pavers is required

Q: What is the maximum water capacity?

A: Each Aquasource Modern tank holds 750 litres, (add on tanks can be fitted at any time) Add on tanks hold 750 litres each.

Q: Can I fit a filtration system to the Oasis?

A: The Oasis can cater for a range of filters both wet and dry.

Q: Will the pump continue running if there is no water in tank?

A: No – the pump will detect if tank is empty and will not operate until the tank has a minimum 150mm of water in the bottom. If there is no water in the tank the system will revert to mains water.

Q: Will I still be able to flush my toilet if there is a power failure?

A: Yes – The system will switch to mains water supply.

Silvan Australia Pty Ltd – Melbourne Head Office
P.O. Box 4453
Dandenong South, Vic 3164
244 – 264 Greens Road
Dandenong South, VIC 3175

Silvan Australia Pty Ltd – Brisbane
Unit 5, 25 Industrial Crescent
Willawong, QLD 4110

Silvan Australia Pty Ltd – Perth
12 Cressall Road
Balcatta, WA 6021

Silvan New Zealand
22 Sunshine Ave, Te Rapa, New Zealand
P.O. Box 10088 Te Rapa,
Hamilton 3241, New Zealand
Phone: 07 849 6030, Fax: 07 849 6070
Web: www.silvannz.co.nz

Phone: 1300 SILVAN
(1300 745 826)

Fax: 1800 SILVAN
(1800 745 826)

Email: info@silvanaust.com
Web: www.silvanh2o.com.au

For further information contact
your nearest Silvan H₂O office
or go to www.silvanh2o.com.au

Silvan H₂O

Smarter rainwater systems

A division of Silvan Australia Pty Ltd